

Mogul Conduit Bodies, Covers and Gaskets

For Rigid Conduit and IMC

NEC/CEC — Suitable for use in the following
Hazardous Locations:
Class I, Division 2 per NEC 501.10(B)(4)

Applications

- To provide access to large and heavy conductors for pulling, splicing, maintenance and future changes / upgrades
- Allows connection of straight conduit runs, branch conduit runs and 90° bends.

Features

- Roomy interiors: more wiring space.
- Smooth, rounded integral bushings in hubs protect conductor insulation.
- Accurately tapped, tapered threads for tight, rigid joints and excellent ground continuity.
- Form 85 copperfree aluminum Unilets™ are lightweight, self-oxidizing, self-renewing and offer a high corrosion resistance.
- Lightweight aluminum facilitates shipping, handling and installing.
- Sizes with flat-back design ideal where fitting is mounted flat against surface.
- 1/2" to 3" blank covers are domed for extra wiring space.

Standard Materials

- Malleable iron
- Chromate
- Copperfree (4/10 of 1% max.) aluminum
- Gaskets: neoprene
- Cover screws: stainless steel

Standard Finishes

- Zinc electroplated
- Epoxy powder coat

Options

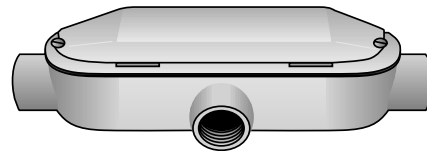
- For additional corrosion protection, specify Hot Dip Galvanized: add suffix **-G** to Malleable Iron Catalog Number.

NEC/CEC Certifications and Compliances

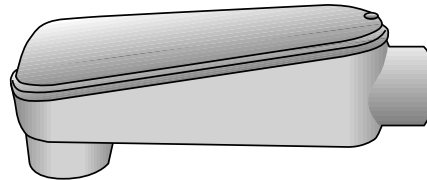
- UL Standard: 514A
- UL Listed: E-18095
- CSA Standard: C22.2 No. 18
- CSA Certified: 009795
- Suitable for wet locations when used with gasketed covers.
- Fed Spec: A-A-50563
- NEMA: FB-1, FB-2.10



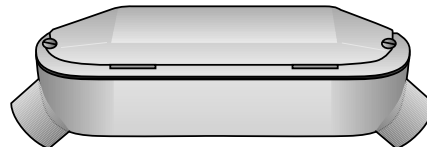
Type C8X



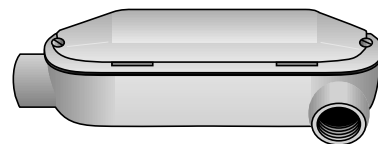
Type T8X



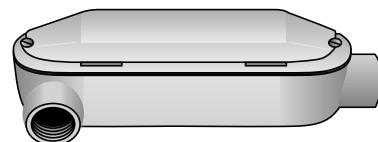
Type LB6X



Type UB6X



Type LL6X

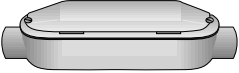
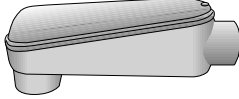



Type LR6X

Mogul Conduit Bodies, Covers and Gaskets

For Rigid Conduit and IMC

NEC/CEC — Suitable for use in the following
Hazardous Locations:
Class I, Division 2 per NEC 501.10(B)(4)

Trade Size (Inches)	Max. Wire Fill	C8X		Max. Wire Fill	LB6X		
		Malleable Iron	Aluminum		Malleable Iron	Aluminum	
							
1	(3) # 2	C8X-100M	C8X-100MA	(3) # 2	LB6X-100M	LB6X-100MA	
1-1/4	(3) # 1/0	C8X-125M ①	C8X-125MA ①	(3) # 1/0	LB6X-125M ①	LB6X-125MA ①	
1-1/2	(3) # 3/0	C8X-150M ①	C8X-150MA ①	(3) # 3/0	LB6X-150M ①	LB6X-150MA ①	
2	(3) 300	C8X-200M ①	C8X-200MA ①	(3) 300	LB6X-200M ①	LB6X-200MA ①	
2-1/2	(3) 400	C8X-250M ①	C8X-250MA ①	(3) 400	LB6X-250M ①	LB6X-250MA ①	
3	(3) 700	C8X-300M ①	C8X-300MA ①	(3) 700	LB6X-300M ①	LB6X-300MA ①	
3-1/2	(3) 900	C8X-350M ①	C8X-350MA ①	(3) 900	LB6X-350M ①	LB6X-350MA ①	
4	(3) 1000	C8X-400M ①	C8X-400MA ①	(3) 1000	LB6X-400M ①	LB6X-400MA ①	

Trade Size (Inches)	Max. Wire Fill	LL6X	
		Malleable Iron	Aluminum
			
1	(3) # 4	LL6X-100M	LL6X-100MA
1-1/4	(3) # 2	LL6X-125M	LL6X-125MA
1-1/2	(3) # 1/0	LL6X-150M	LL6X-150MA
2	(3) # 4/0	LL6X-200M	LL6X-200MA
2-1/2	—	—	—
3	—	—	—
3-1/2	—	—	—
4	—	—	—

① Furnished with rollers for easier cable pulling.


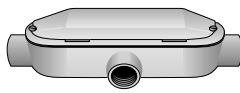
Mogul Conduit Bodies, Covers and Gaskets


For Rigid Conduit and IMC

NEC/CEC — Suitable for use in the following

Hazardous Locations:

Class 1, Division 2 per NEC 501.10(B)(4)

Trade Size (Inches)	Max. Wire Fill	LR6X		Max. Wire Fill	T8X	
		Malleable Iron	Aluminum		Malleable Iron	Aluminum
						
1	(3) # 4	LR6X-100M	LR6X-100MA	(3) # 4	T8X-100M	T8X-100MA
1-1/4	(3) # 2	LR6X-125M	LR6X-125MA	(3) # 2	T8X-125M	T8X-125MA
1-1/2	(3) #1/0	LR6X-150M	LR6X-150MA	(3) #1/0	T8X-150M	T8X-150MA
2	(3) # 4/0	LR6X-200M	LR6X-200MA	(3) # 4/0	T8X-200M	T8X-200MA
2-1/2	—	—	—	(3) 300	T8X-250M	T8X-250MA
3	—	—	—	(3) 350	T8X-300M	T8X-300MA
3-1/2	—	—	—	(3) 350	T8X-350M	T8X-350MA
4	—	—	—	(3) 350	T8X-400M	T8X-400MA

Trade Size (Inches)	Max. Wire Fill	UB6X	
		Malleable Iron	Aluminum
			
1	(3) # 2	UB6X-100M	UB6X-100MA
1-1/4	(3) # 1/0	UB6X-125M ^①	UB6X-125MA ^①
1-1/2	(3) # 3/0	UB6X-150M ^①	UB6X-150MA ^①
2	(3) 300	UB6X-200M ^①	UB6X-200MA ^①
2-1/2	(3) 400	UB6X-250M ^①	UB6X-250MA ^①
3	(3) 700	UB6X-300M ^①	UB6X-300MA ^①
3-1/2	(3) 900	UB6X-350M ^①	UB6X-350MA ^①
4	(3) 1000	UB6X-400M ^①	UB6X-400MA ^①

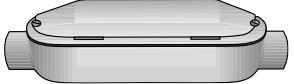




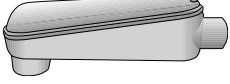




^① Furnished with rollers for easier cable pulling.

Mogul Conduit Bodies, Covers and Gaskets

For Rigid Conduit and IMC

NEC/CEC – Suitable for use in the following
Hazardous Locations:
Class I, Division 2 per NEC 501.10(B)(4)

Replacement Gaskets and Covers/Gasket Assemblies

Used With	Trade Size (Inches)	Gasket Only	Cover, Gasket and Cover Screws		No. of Screws		
			Malleable Iron	Aluminum			
C8X Series	1	MG100	MKG100-M	MKG100-A	2	1" – 2"	
	1-1/4	MGC125	MKGC125-M	MKGC125-A	2		
	1-1/2	MG150	MKG150-M	MKG150-A	2		
	2	MGC200	MKGC200-M	MKGC200-A	2		
	2-1/2	MGC250	MKGC250-M	MKGC250-A	4		
	3	MGC300	MKGC300-M	MKGC300-A	4		
	3-1/2	MGC350	MKGC350-M	MKGC350-A	4		
	4	MGC400	MKGC400-M	MKGC400-A	4	2-1/2" – 4"	 Type C8X
T8X Series	1	MG100	MKG100-M	MKG100-A	2	1" – 2"	
	1-1/4	MGC125	MKGC125-M	MKGC125-A	2		
	1-1/2	MG150	MKG150-M	MKG150-A	2		
	2	MGC200	MKGC200-M	MKGC200-A	2		
	2-1/2	MGC250	MKGC250-M	MKGC250-A	4		
	3	MGC300	MKGC300-M	MKGC300-A	4		
	3-1/2	MGC350	MKGC350-M	MKGC350-A	4		
	4	MGC400	MKGC400-M	MKGC400-A	4	2-1/2" – 4"	 Type T8X
LB6X Series	1	MG100	MKG100-M	MKG100-A	2	1" – 2"	
	1-1/4	MGL125	MKGL125-M	MKGL125-A	2		
	1-1/2	MG150	MKG150-M	MKG150-A	2		
	2	MGL200	MKGL200-M	MKGL200-A	2		
	2-1/2	MGL250	MKGL250-M	MKGL250-A	6		
	3	MGL300	MKGL300-M	MKGL300-A	6		
	3-1/2	MGL350	MKGL350-M	MKGL350-A	6		
	4	MGL400	MKGL400-M	MKGL400-A	6	2-1/2" – 4"	 Type LB6X
UB6X Series	1	MG100	MKG100-M	MKG100-A	2	1" – 2"	
	1-1/4	MGL125	MKGL125-M	MKGL125-A	2		
	1-1/2	MG150	MKG150-M	MKG150-A	2		
	2	MGL200	MKGL200-M	MKGL200-A	2		
	2-1/2	MGL250	MKGC250-M	MKGC250-A	4		
	3	MGL300	MKGU300-M	MKGU300-A	4		
	3-1/2	MGL350	MKGC350-M	MKGC350-A	4		
	4	MGL400	MKGU400-M	MKGU400-A	4	2-1/2" – 4"	 Type UB6X
LL6X Series	1	MG100	MKG100-M	MKG100-A	2	1" – 2"	
	1-1/4	MGL125	MKGL125-M	MKGL125-A	2		
	1-1/2	MG150	MKG150-M	MKG150-A	2		
	2	MGL200	MKGL200-M	MKGL200-A	2		Type LL6X
LR6X Series	1	MG100	MKG100-M	MKG100-A	2	1" – 2"	
	1-1/4	MGL125	MKGL125-M	MKGL125-A	2		
	1-1/2	MG150	MKG150-M	MKG150-A	2		
	2	MGL200	MKGL200-M	MKGL200-A	2		Type LR6X

0Z/GEDNEY™

COMMERCIAL AND INDUSTRIAL FITTINGS: CONDUIT BODIES

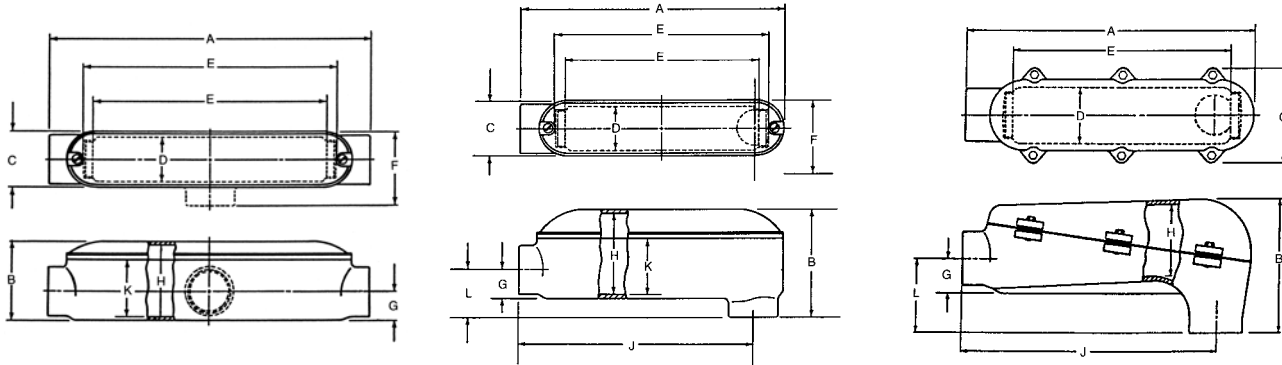
Mogul Conduit Bodies, Covers and Gaskets

For Rigid Conduit and IMC

NEC/CEC — Suitable for use in the following
Hazardous Locations:
Class I, Division 2 per NEC 501.10(B)(4)

Dimensional Data

Mogul Types C, T, and LB



Types C and T

Type LB (1" to 2")

Type LB (2-1/2" thru 4")

Dimensions in Millimeters (Inches)

Type Mogul	Trade Size (Inches)	Cubic Inch Capacity	A	B	C	D	E	F	G	H	J	K	L
C	1	31	249.17 (9.81)	69.85 (2.75)	60.45 (2.38)	47.75 (1.88)	168.40 (6.63)	—	23.88 (0.94)	61.98 (2.44)	—	47.75 (1.88)	—
	1-1/4 Ⓞ	50	304.80 (12.00)	84.07 (3.31)	60.45 (2.38)	47.75 (1.88)	195.33 (7.69)	—	29.46 (1.16)	76.20 (3.00)	—	55.63 (2.19)	—
	1-1/2 Ⓞ	93	354.08 (13.94)	95.25 (3.75)	79.50 (3.13)	63.50 (2.50)	236.47 (9.31)	—	35.05 (1.38)	85.85 (3.38)	—	65.02 (2.56)	—
	2 Ⓞ	143	455.68 (17.94)	112.78 (4.44)	79.50 (3.13)	63.50 (2.50)	330.20 (13.00)	—	41.40 (1.63)	101.60 (4.00)	—	80.77 (3.18)	—
	2-1/2 Ⓞ	335	590.55 (23.25)	130.30 (5.13)	117.60 (4.63)	95.25 (3.75)	444.50 (17.50)	—	45.97 (1.81)	117.60 (4.63)	—	92.20 (3.63)	—
	3 Ⓞ	475	682.75 (26.88)	150.88 (5.94)	117.60 (4.63)	92.20 (3.63)	533.40 (21.00)	—	54.86 (2.16)	138.18 (5.44)	—	111.25 (4.38)	—
	3-1/2 Ⓞ	830	797.05 (31.38)	182.63 (7.19)	143.00 (5.63)	114.30 (4.50)	633.48 (24.94)	—	63.50 (2.50)	169.93 (6.69)	—	123.95 (4.88)	—
	4 Ⓞ	1010	898.65 (35.38)	192.02 (7.56)	143.00 (5.63)	114.30 (4.50)	735.08 (28.94)	—	69.85 (2.75)	179.32 (7.06)	—	133.35 (5.25)	—
T	1	31	249.17 (9.81)	69.85 (2.75)	60.45 (2.38)	47.75 (1.88)	168.40 (6.63)	82.55 (3.25)	23.88 (0.94)	61.98 (2.44)	—	47.75 (1.88)	—
	1-1/4 Ⓞ	50	304.80 (12.00)	84.07 (3.31)	60.45 (2.38)	47.75 (1.88)	217.42 (8.56)	85.85 (3.38)	29.46 (1.16)	76.20 (3.00)	—	55.63 (2.19)	—
	1-1/2 Ⓞ	93	354.08 (13.94)	95.25 (3.75)	79.50 (3.13)	63.50 (2.50)	263.65 (10.38)	104.90 (4.13)	35.05 (1.38)	85.85 (3.38)	—	65.02 (2.56)	—
	2	143	455.68 (17.94)	112.78 (4.44)	79.50 (3.13)	63.50 (2.50)	358.90 (14.13)	104.90 (4.13)	41.40 (1.63)	101.60 (4.00)	—	80.77 (3.18)	—
	2-1/2	335	590.55 (23.25)	130.30 (5.13)	117.60 (4.63)	95.25 (3.75)	474.73 (18.69)	152.40 (6.00)	45.97 (1.81)	117.60 (4.63)	—	92.20 (3.63)	—
	3	475	682.75 (26.88)	150.88 (5.94)	117.60 (4.63)	92.20 (3.63)	563.63 (22.19)	152.40 (6.00)	54.86 (2.16)	138.18 (5.44)	—	111.25 (4.38)	—
	3-1/2	830	797.05 (31.38)	182.63 (7.19)	143.00 (5.63)	114.30 (4.50)	665.23 (26.19)	184.15 (7.25)	63.50 (2.50)	169.93 (6.69)	—	123.95 (4.88)	—
	4	1010	898.65 (35.38)	192.02 (7.56)	143.00 (5.63)	114.30 (4.50)	766.83 (30.19)	184.15 (7.25)	69.85 (2.75)	179.32 (7.06)	—	133.35 (5.25)	—
LB	1	31	227.08 (8.94)	92.20 (3.63)	60.45 (2.38)	47.75 (1.88)	168.40 (6.63)	—	23.88 (0.94)	61.98 (2.44)	200.15 (7.88)	47.75 (1.88)	47.75 (1.88)
	1-1/4 Ⓞ	48	246.13 (9.69)	120.65 (4.75)	60.45 (2.38)	47.75 (1.88)	160.27 (6.31)	—	29.46 (1.16)	87.38 (3.44)	215.90 (8.5)	66.80 (2.63)	54.86 (2.16)
	1-1/2 Ⓞ	107	330.20 (13.00)	133.35 (5.25)	79.50 (3.13)	63.50 (2.50)	236.47 (9.31)	—	35.05 (1.38)	100.08 (3.94)	295.40 (11.63)	77.72 (3.06)	60.45 (2.38)
	2 Ⓞ	145	371.60 (14.63)	160.27 (6.31)	79.50 (3.13)	63.50 (2.50)	273.05 (10.75)	—	41.40 (1.63)	123.95 (4.88)	328.68 (12.94)	87.38 (3.44)	68.33 (2.69)
	2-1/2 Ⓞ	210	454.15 (17.88)	203.20 (8.00)	149.35 (5.88)	88.90 (3.50)	349.25 (13.75)	—	54.10 (2.13)	104.90 (4.13)	401.57 (15.81)	—	115.82 (4.56)
	3 Ⓞ	345	534.92 (21.06)	254.00 (10.00)	149.35 (5.88)	88.90 (3.50)	431.80 (17.00)	—	63.50 (2.50)	130.30 (5.13)	469.90 (18.5)	—	136.65 (5.38)
	3-1/2 Ⓞ	500	617.47 (24.31)	260.35 (10.25)	177.80 (7.00)	117.60 (4.63)	504.95 (19.88)	—	76.20 (3.00)	120.65 (4.75)	543.05 (21.38)	—	168.40 (6.63)
	4 Ⓞ	740	698.50 (27.50)	317.50 (12.50)	177.80 (7.00)	117.60 (4.63)	584.20 (23.00)	—	82.55 (3.25)	162.05 (6.38)	619.25 (24.38)	—	177.80 (7.00)

Ⓞ Furnished with rollers for easier cable pulling.

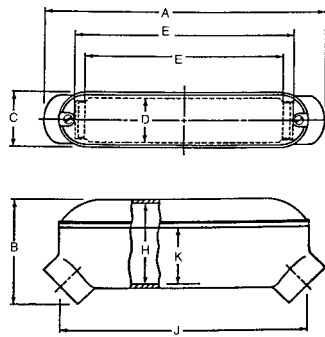
Mogul Conduit Bodies, Covers and Gaskets

For Rigid Conduit and IMC

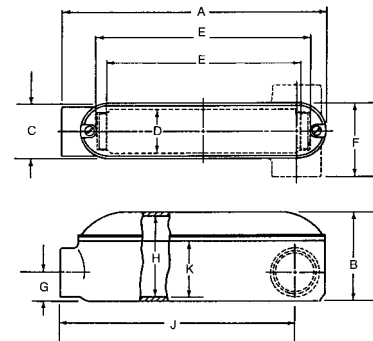
NEC/CEC — Suitable for use in the following
Hazardous Locations:
Class I, Division 2 per NEC 501.10(B)(4)

Dimensional Data

Mogul Types UB, LL, and LR



Types UB



Types LL and LR

Type Mogul	Trade Size (Inches)	Cubic Inch Capacity	Dimensions in Millimeters (Inches)										
			A	B	C	D	E	F	G	H	J	K	L
UB	1	31	244.60 (9.63)	88.90 (3.50)	60.45 (2.38)	47.75 (1.88)	168.40 (6.63)	-	-	61.98 (2.44)	214.38 (8.44)	47.75 (1.88)	-
	1-1/4 ①	40	260.35 (10.25)	104.90 (4.13)	60.45 (2.38)	47.75 (1.88)	160.27 (6.31)	-	-	76.20 (3.00)	227.08 (8.94)	55.63 (2.19)	-
	1-1/2 ①	91	347.73 (13.69)	117.60 (4.63)	79.50 (3.13)	63.50 (2.50)	236.47 (9.31)	-	-	85.85 (3.38)	309.63 (12.19)	65.02 (2.56)	-
	2 ①	134	387.35 (15.25)	127.00 (5.00)	79.50 (3.13)	63.50 (2.50)	273.05 (10.75)	-	-	115.82 (4.56)	339.85 (13.38)	80.77 (3.18)	-
	2-1/2 ①	375	581.15 (22.88)	179.32 (7.06)	117.60 (4.63)	95.25 (3.75)	444.50 (17.50)	-	-	138.18 (5.44)	511.30 (20.13)	111.25 (4.38)	-
	3 ①	445	581.15 (22.88)	185.67 (7.31)	117.60 (4.63)	95.25 (3.75)	444.50 (17.50)	-	-	172.97 (6.81)	511.30 (20.13)	111.25 (4.38)	-
	3-1/2 ①	840	784.35 (30.88)	227.08 (8.94)	143.00 (5.63)	114.30 (4.50)	631.95 (24.88)	-	-	179.32 (7.06)	698.50 (27.50)	133.35 (5.25)	-
4 ①	960	784.35 (30.88)	261.87 (10.31)	143.00 (5.63)	114.30 (4.50)	631.95 (24.88)	-	-	214.38 (8.44)	698.50 (27.50)	133.35 (5.25)	-	
LL, LR	1	31	227.08 (8.94)	69.85 (2.75)	60.45 (2.38)	47.75 (1.88)	168.40 (6.63)	82.55 (3.25)	23.88 (0.94)	61.98 (2.44)	200.15 (7.88)	47.75 (1.88)	-
	1-1/4	42	246.13 (9.69)	84.07 (3.31)	60.45 (2.38)	47.75 (1.88)	184.15 (7.25)	85.85 (3.38)	29.46 (1.16)	76.20 (3.00)	215.90 (8.50)	55.63 (2.19)	-
	1-1/2	93	330.20 (13.00)	95.25 (3.75)	79.50 (3.13)	63.50 (2.50)	263.65 (10.38)	104.90 (4.13)	35.05 (1.38)	85.85 (3.38)	295.40 (11.63)	65.02 (2.56)	-
	2	134	371.60 (14.63)	127.00 (5.00)	79.50 (3.13)	63.50 (2.50)	299.97 (11.81)	104.90 (4.13)	41.40 (1.63)	115.82 (4.56)	328.68 (12.94)	87.38 (3.44)	-

① Furnished with rollers for easier cable pulling.